

RUBBER PRODUCTS

DOCK BUMPERS

DOOR BUMPERS

WHEEL CHOCKS

MUD FLAPS



Parts & Service, Inc.

563 Cortlandt Street – Belleville, NJ 07109

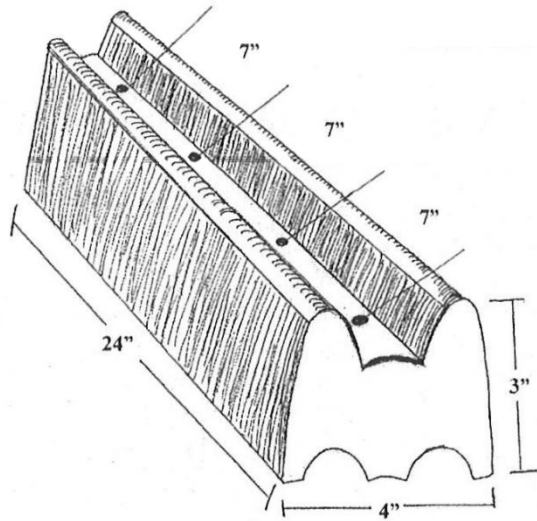
RUBBER PRODUCTS

DISCLAIMER

ANY REFERENCE TO OEM NAMES OR OEM PRODUCT IDENTIFICATION NUMBERS/DESCRIPTIONS/MODEL NUMBERS IS FOR IDENTIFICATION PURPOSES ONLY AND DOES NOT INDICATE THAT IT IS AN OEM PART OR IMPLY THAT FLEET PARTS & SERVICE ITEMS ARE AUTHORIZED OR IN ANY WAY AFFILIATED WITH THE OEM.

RUBBER PRODUCTS

DB/MERITT-24



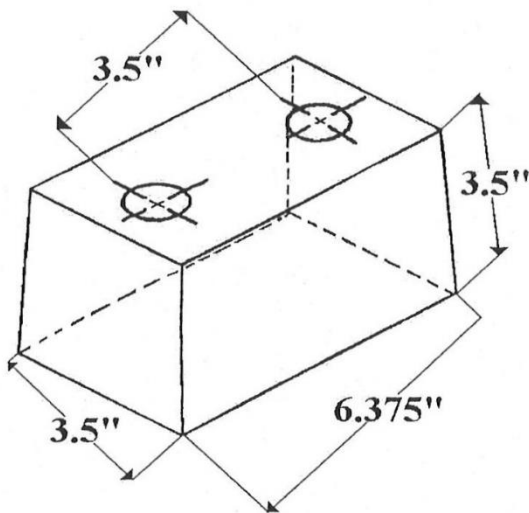
Solid Dock Bumper

4 Holes on 7" Centers

Weight: 9.5 lbs.

Interchanges with: Kidron K930349

DB1

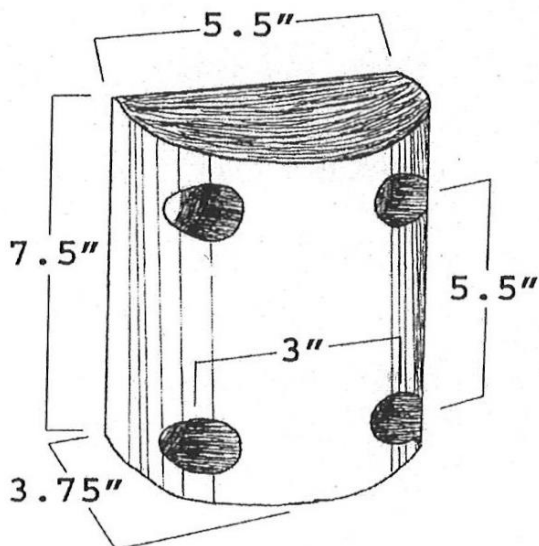


Solid Dock Bumper

2 Holes on 3.5" Centers

Weight: 4.5 lbs.

DB2



Solid Dock Bumper

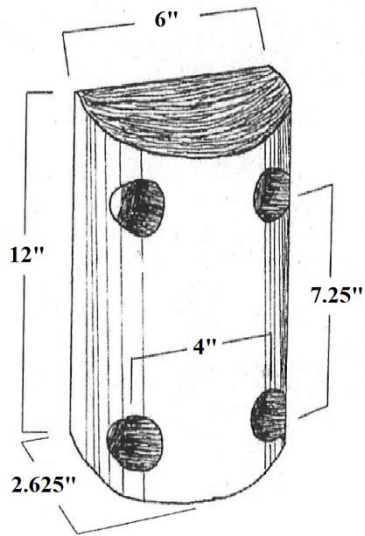
4 Holes

Weight: 5.5 lbs.

Interchanges with: Kidron K93003

RUBBER PRODUCTS

DB2-12



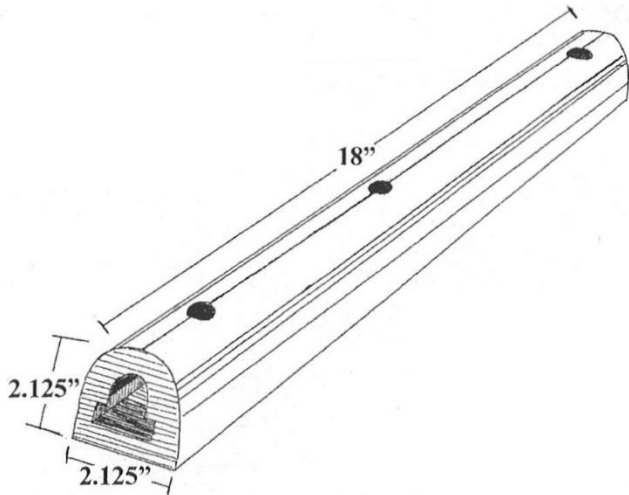
Solid Dock Bumper

5 Holes

Weight: 5 lbs.

RUBBER PRODUCTS

DB3-18



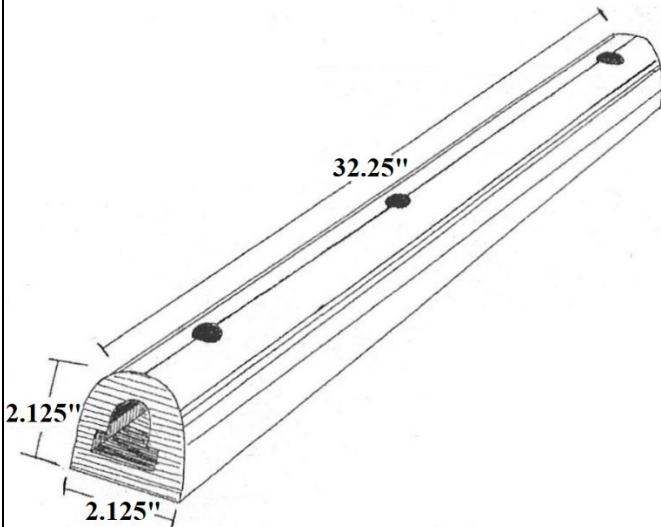
Hollow Dock Bumper

3 Holes on 7.5" Centers

Weight: 2 lbs.

Interchanges with: Supreme 255037

DB3-32

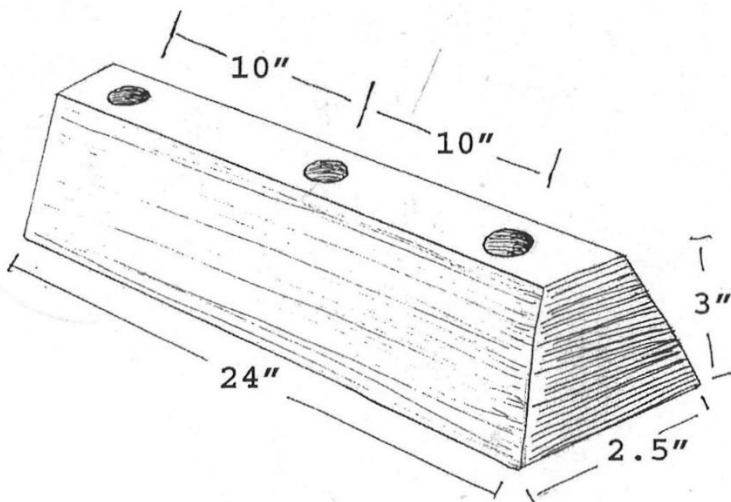


Hollow Dock Bumper

3 Holes on 14" Centers

Weight: 4 lbs.

DB3-MOR



Solid Dock Bumper

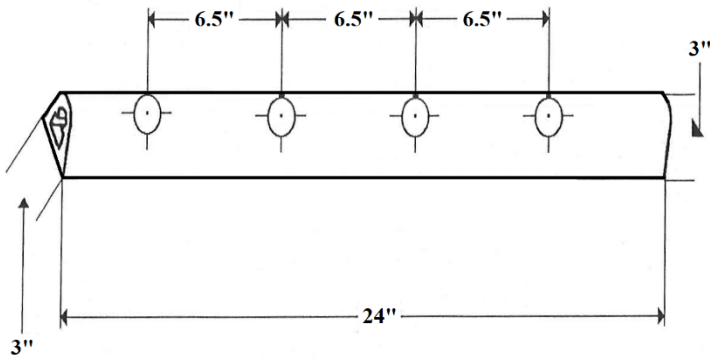
3 Holes on 10" Centers

Weight: 8.7 lbs.

Interchanges with: Morgan 076263

RUBBER PRODUCTS

DB4

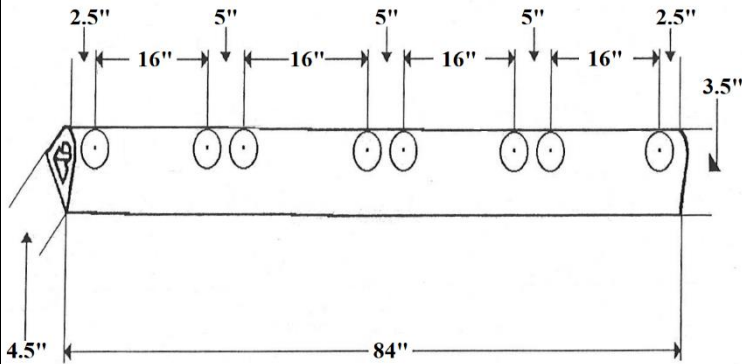


Hollow Dock Bumper

4 Holes on 6.5" Centers

Weight: 6.7 lbs.

DB5



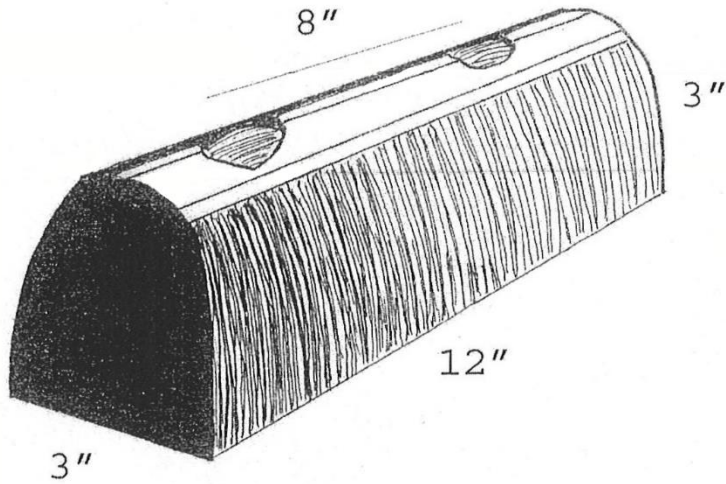
Hollow Dock Bumper

8 Holes

Weight: 35 lbs.

RUBBER PRODUCTS

DB6-12S

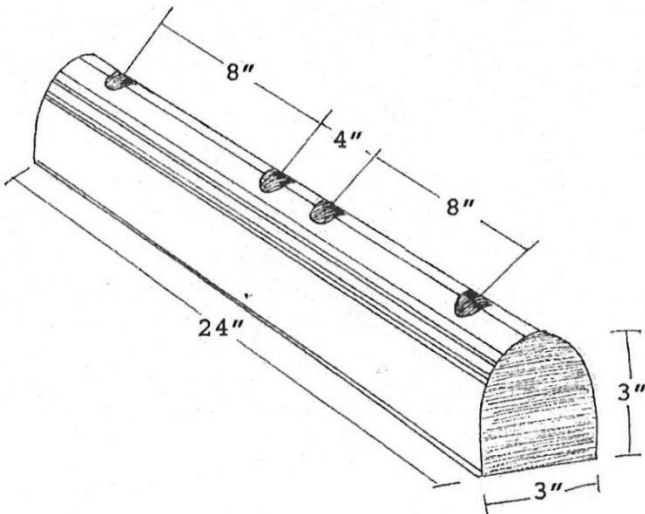


Solid Dock Bumper

2 Holes on 8" Centers

Weight: 3.75 lbs.

DB6-24S



Solid Dock Bumper

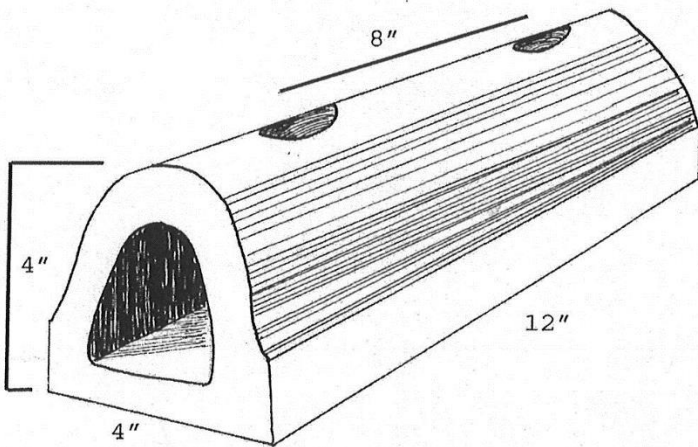
4 Holes

Weight: 7.5 lbs.

**Interchanges with: Morgan 076264
Kidron K946791
Supreme 255128**

RUBBER PRODUCTS

DB7-12

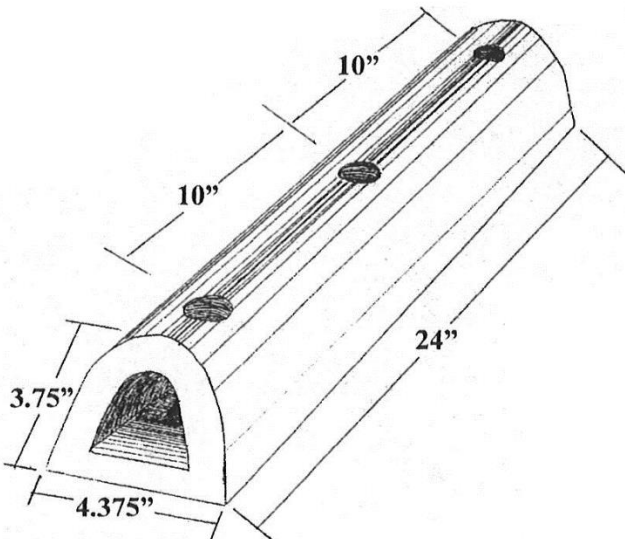


Hollow Dock Bumper

2 Holes on 8" Centers

Weight: 4 lbs.

DB7-24



Hollow Dock Bumper

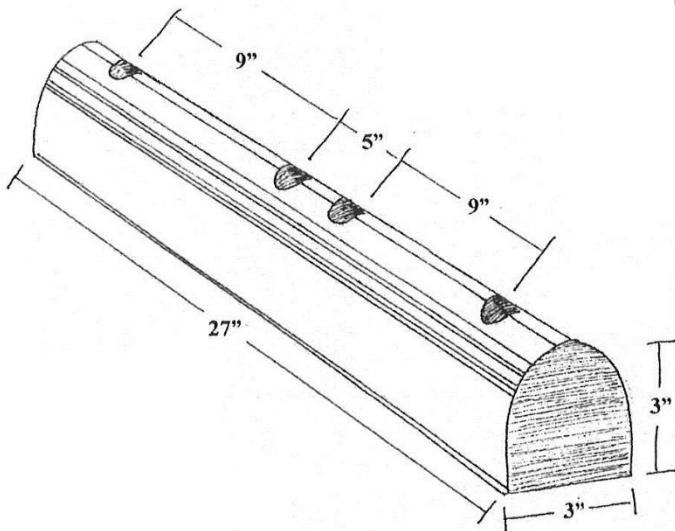
3 Holes on 10" Centers

Weight: 6.75 lbs.

Interchanges with: Supreme 255109

RUBBER PRODUCTS

DB8



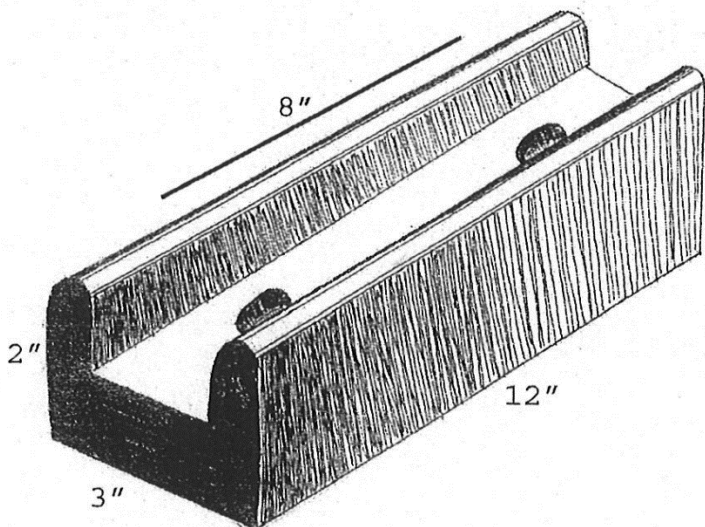
Solid Dock Bumper

4 Holes

Weight: 8.2 lbs.

**Interchanges with: Morgan 076267
Supreme 255045**

DB9



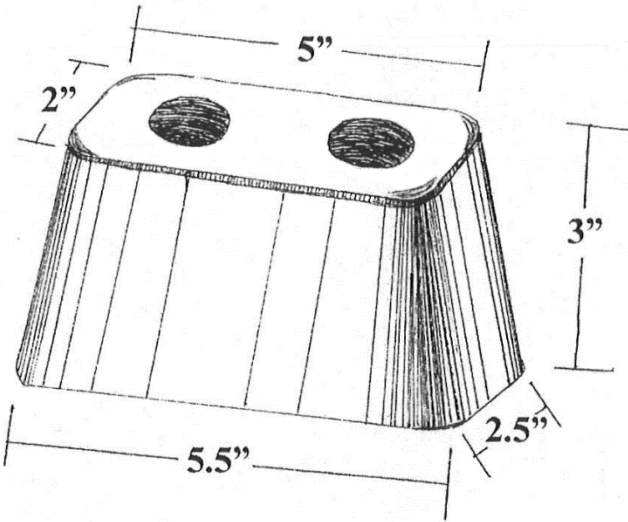
Solid Dock Bumper

2 Holes on 8" Centers

Weight: 2.9 lbs.

RUBBER PRODUCTS

DB10

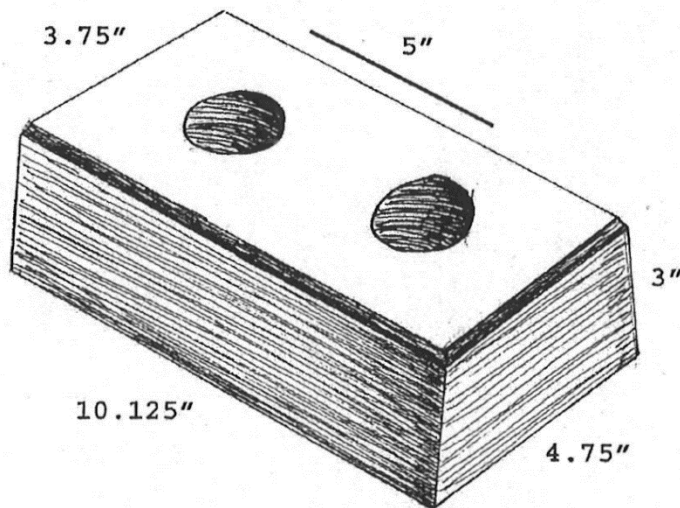


Solid Dock Bumper

2 Holes

Weight: 2 lbs.

DB11

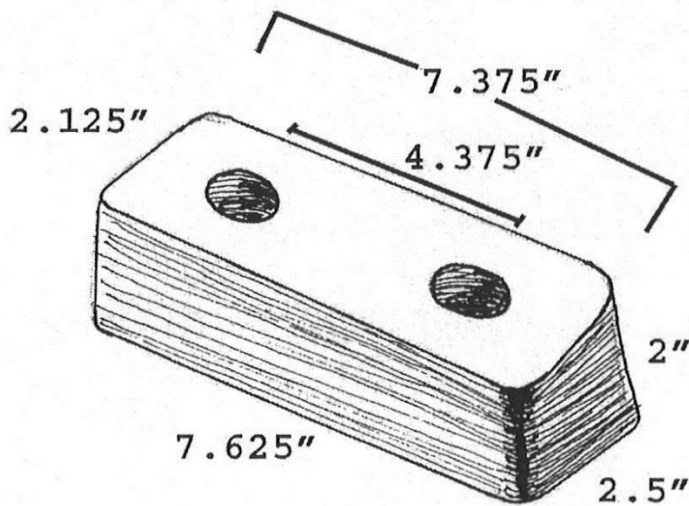


Solid Dock Bumper

2 Holes on 5" Centers

Weight: 7 lbs.

DB12

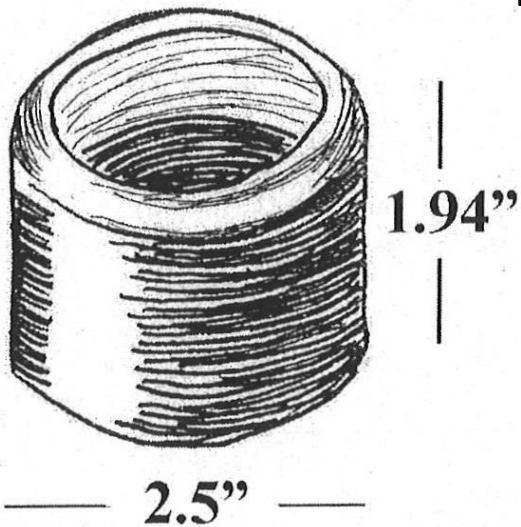


Solid Dock Bumper

Weight: 2 lbs.

RUBBER PRODUCTS

DB15

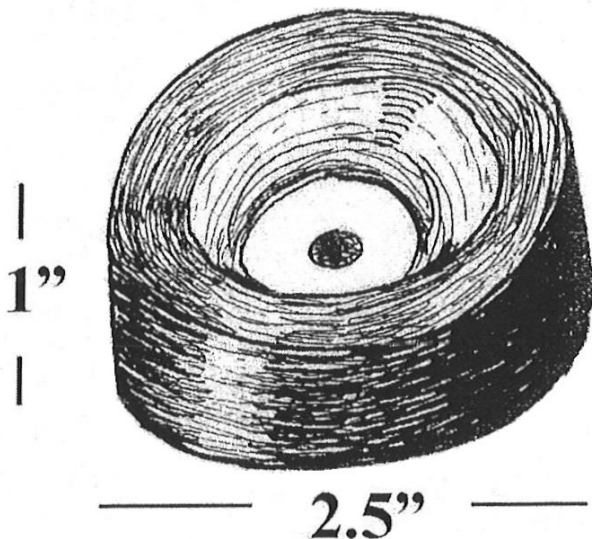


Door Bumper

Weight: 0.5 lbs.

Interchanges with: Morgan 076572

DB16



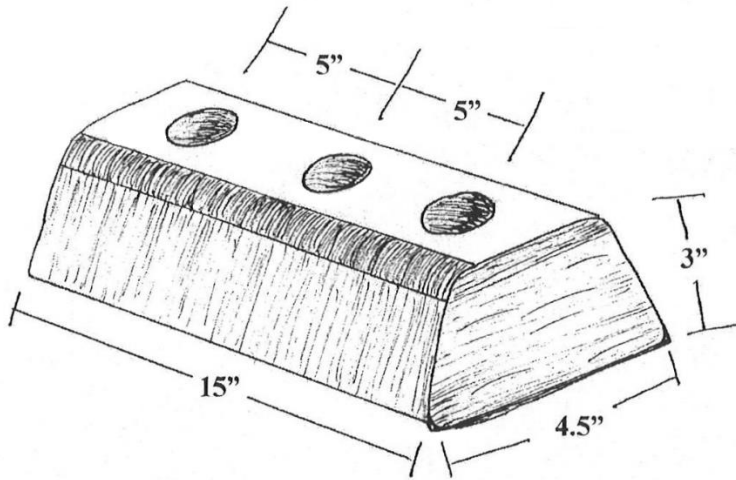
Door Bumper

Weight: 0.25 lbs.

Interchanges with: A.M. Haire 59008
Buyers Products B1001

RUBBER PRODUCTS

DB17

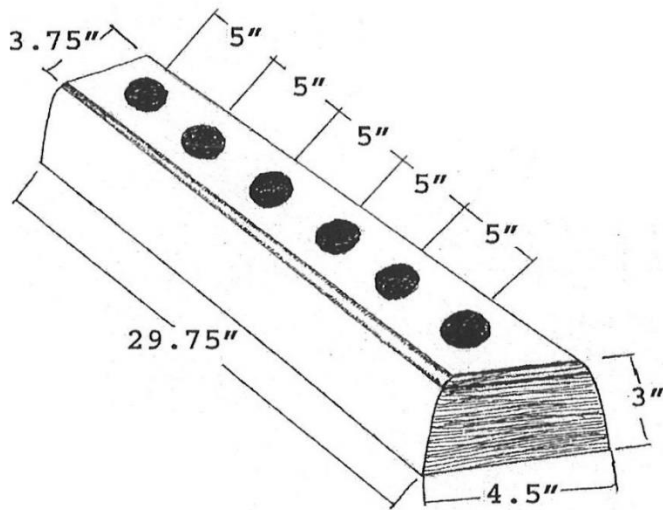


Solid Dock Bumper

3 Holes on 5" Centers

Weight: 8 lbs.

DB18

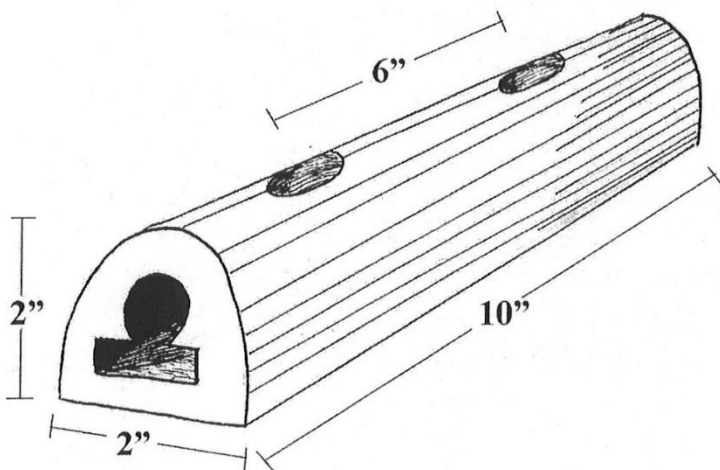


Solid Dock Bumper

6 Holes on 5" Centers

Weight: 15.5 lbs.

DB19



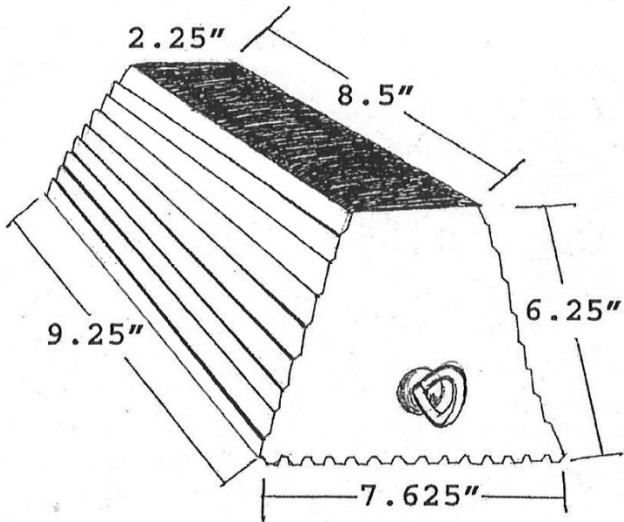
Hollow Dock Bumper

2 Holes on 6" Centers

Weight: 1.5 lbs.

RUBBER PRODUCTS

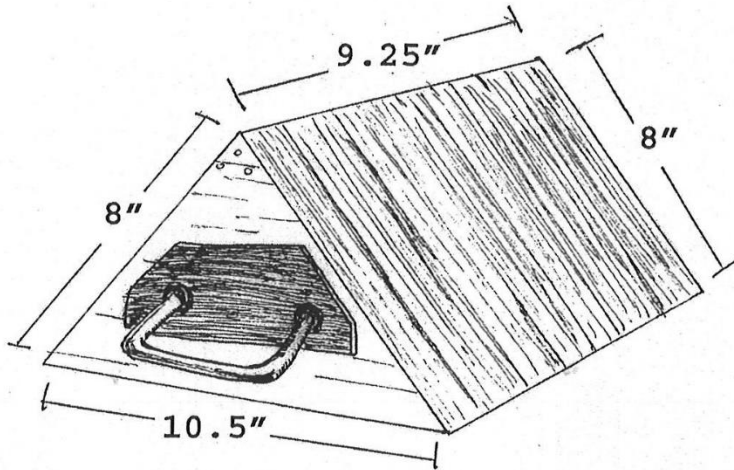
WC1



Wheel Chock

Weight: 12 lbs.

WC2

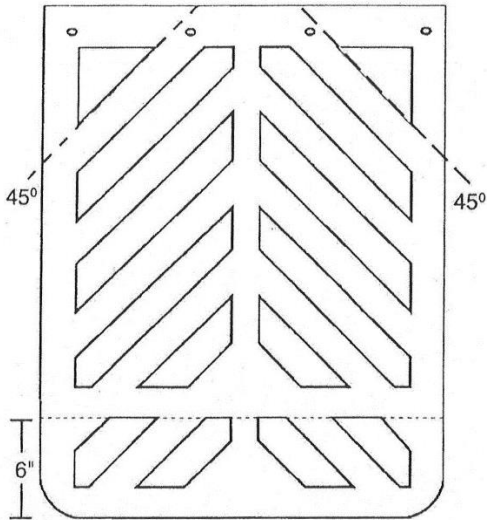


Wheel Chock

Weight: 15.5 lbs.

RUBBER PRODUCTS

MUDFLAP24X30



Mud Flap

24" x 30"

Weight: 7 lbs.